



# Matrix™ X

- 
- 
- 
- DDoS, Brute Force, 가

- - 2.56 Tbps Matrix X Matrix™ X
- (security leadership)
- - 64 Matrix X16
- 10- 가 640 / /
- 가 ; 7ft Matrix X - 16 I/O / 18 ,
- (rack) 2 가
- 가 , 가 ,
- - 2.56 Tbps
- (Single Point of Failure)
- - 64 10 GbE , 640 GbE
- 가 ; - 768 10/100/100
- (failover) Matrix X
- - 24x7 " (hitless) 가
- 가 I/O 가
- - 8 Matrix X8 /
- - 8 I/O / 10 ,
- (QoS) Matrix X
- - 1.2 Tbps
- 가 (Virtual Output Queuing) QoS - 32 10 GbE , 384 GbE
- - 384 10/100/100
- Secure Networks™ 가
- Matrix X
- Multiple Classes of Service가 Dos

**Matrix X**

Matrix X

Virtual Output Queuing

가

8

QoS

(

(I/O)  
(forwarding plane)

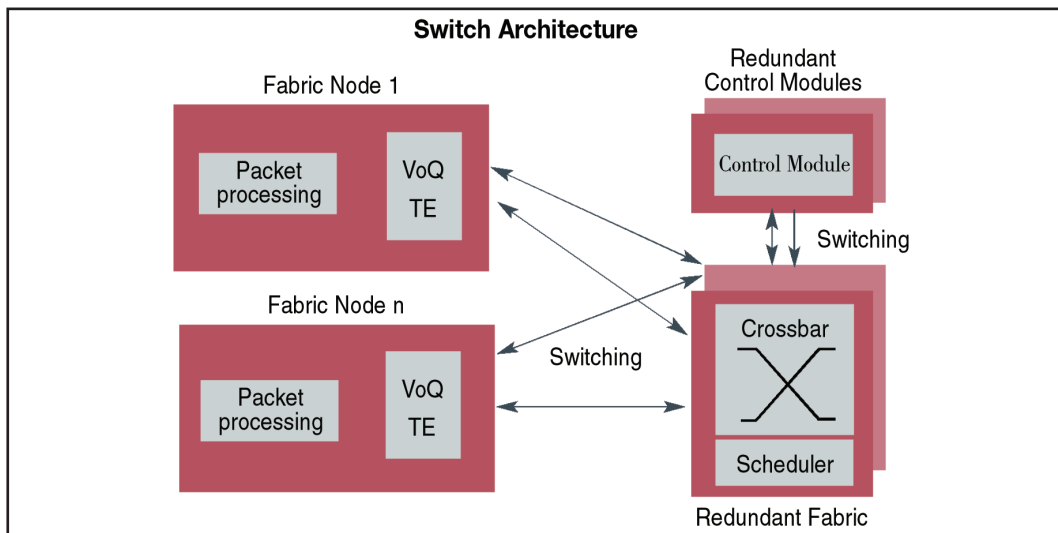
(manageability)

(ingress)

(QoS) I/O

가

가



**Matrix X**

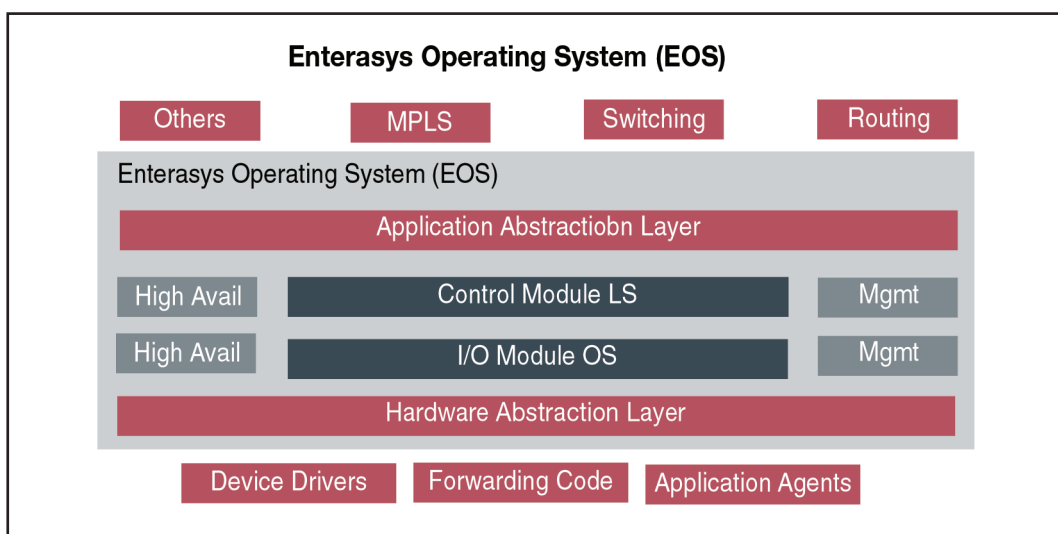
Matrix X

가

QoS

(QoS)

가



**Common Component Architecture**

Matrix X

Enterasys Common Component Architecture

가



Matrix X16: 38.3"H x 17.6"W x 24"D  
Matrix X8 : 22.6"H x 17.6"W x 24"D

802.1s Multiple Spanning Tree  
802.1p Priorities  
802.1q VLAN Tagging  
802.3ad Link Aggregation  
802.3ae 10 Gbe  
802.1w Rapid STP  
GVRP  
IGMP v3(RFC 2236)  
IGMP Snooping  
Jumbo Frame Support - (9K bytes)  
ECMP (8Paths)  
Diff Serv

Dos Prevention  
ACLs - up to 32,000 per system  
AAA  
RADIUS(RFC 2138)  
SSHv2  
Secure Copy v2

SNMPv1/v2/v3  
Multi - Access CL1  
DHCP Client/Server/Relay  
Syslog  
Telnet Client/Server  
FTP  
TFTP  
NTP Client  
Cabletron Discovery Protocol(CDP)  
RMON 1(4 groups)  
Policy MLB

IP (RFC 791)  
ICMP (RFC 792, 1256)  
TCP (RFC 793)  
UDP (RFC 768)  
TELNET (RFC 854)  
BootP (RFC 951, 1542)  
  
General Routing (RFC 1812)  
RIP v1/v2 (RFC 2453)  
RIP ECMP  
OSPF v2 (RFC 2328)  
OSPF Graceful Restart  
OSPF ECMP  
OSPF NSSA (RFC 1195)  
IS - IS ECMP  
BGP - 4 (RFC 1771)  
BGP - 4 Graceful Restart  
VRRP (RFC 2338)  
DVMRP  
PIM - SM  
Route Redistribution  
IPv6  
MPLS

Multiple Image  
Multiple Configurations  
Hitless Software Upgrade  
Hitless Software Failover

NetSight Atlas ConsolePolicy MIB  
NetSight Atlas Policy Manager  
NetSight Atlas Automated  
Security Manager

## X16-C

Matrix X 16

## X8-C

Matrix X 8

## X-FAN

Matrix X Fan

## X-AC

Matrix X AC

## X-CM-00

Matrix X16 X8

## X16-FM

Matrix X16

## X8-FM

Matrix X8

## X-ENS-LIC

Matrix X Enterasys System license

## I/O

### X-M2-00

2 10GBase - X XFP IOM

### X-M4-01

4 10GBase - X XFP IOM

### X-G20-01

20 1000Base - X SFP IOM

### X-G32-00

32 1000Base - X SFP IOM

### X-G40-01

40 1000Base - X SFP IOM

## MGBIC

### MGBIC-LC01

Mini - GBIC 1000Base - SX LC connector

### MGBIC-LC09

Mini - GBIC 1000Base - LX LC connector

### MGBIC-02

Mini - GBIC 1000Base - T RJ45 connector

### MGBIC-08

Mini - GBIC 1000Base - LX/LH(70km long haul) SMP LC connector

### 10GBASE-SR-XFP

10GBASE SR XFP Optic

### 10GBASE-LR-XFP

10GBASE LR XFP Optic

### 10BASE-ER-XFP

10BASE ER XFP Optic